



Clamps and Brackets Datasheets



Clamps and Buckets Datasheets

To provide the total package QHP offer an extensive range of accessories including portable and permanent nitrogen charging equipment, service tool kits, fluid port adaptors, mounting brackets and clamps to suit all UK and European standard bladder accumulators.

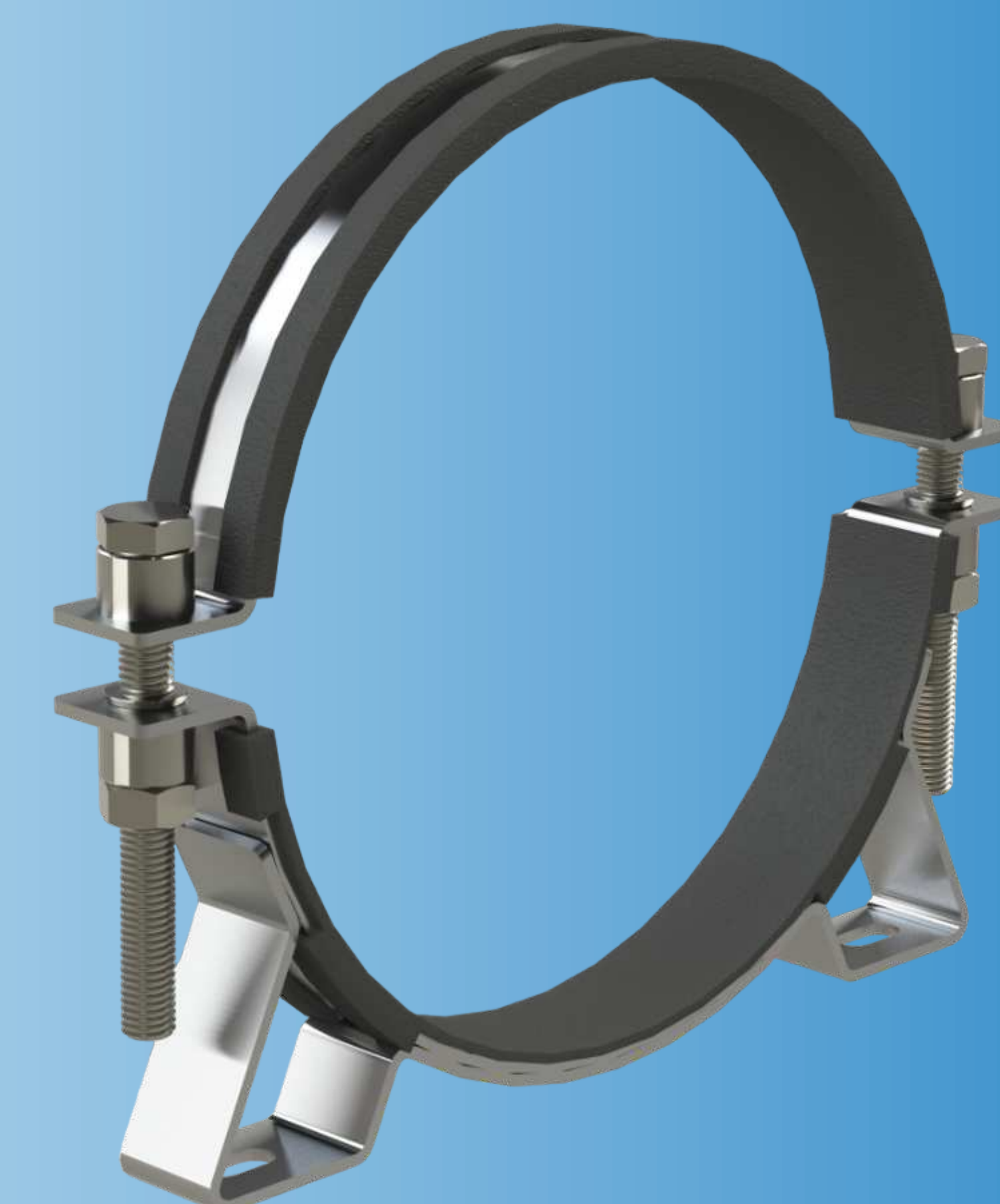
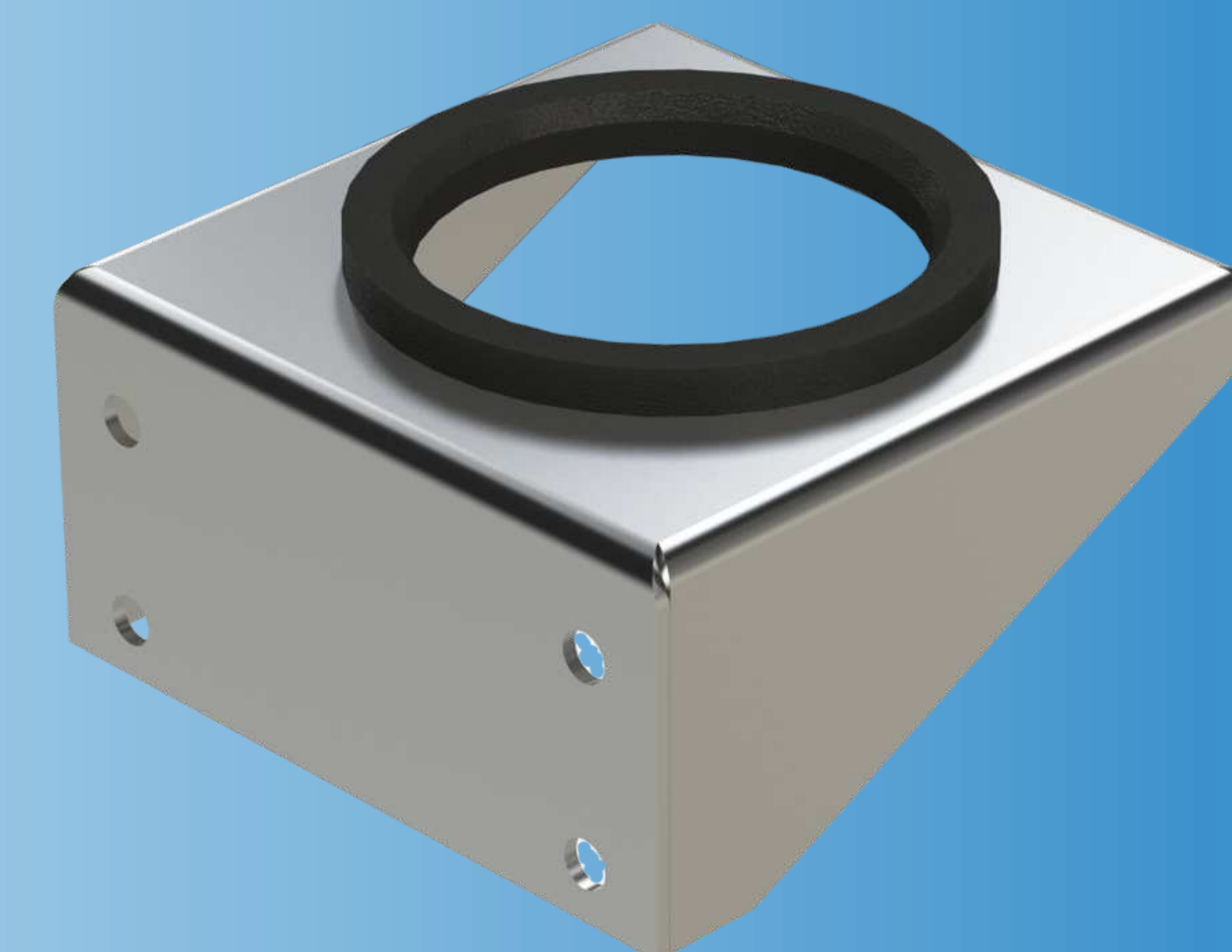
- Nitrogen hoses
- UK, European and USA gas bottle adapters
- European and USA accumulator gas stem adapters
- Service tool kits.
- Clamps and brackets designed for specific use on bladder accumulators are supplied complete with rubber supports to ensure rigid mounting of the accumulator mass (see mounting elements).

Please contact the QHP sales department for further information.

MOUNTING ELEMENTS

QHP support brackets and clamps are used to mount all types of hydraulic accumulators safely and simply, irrespective of the mounting position. Clamps, brackets and complete accumulator sets are available. The supports are designed for static use for dynamic stresses, specially designed clamps are available on request.

For further information on these products, you can download the Brackets Datasheet and the Clamps Datasheet below.



For safely securing all types of QHP accumulator in-situ

- Sizes available to suit a wide range of vessel diameters
- Steel assembly with rubber lining
- Stainless or Carbon Steel options available
- Variety of clamp styles available

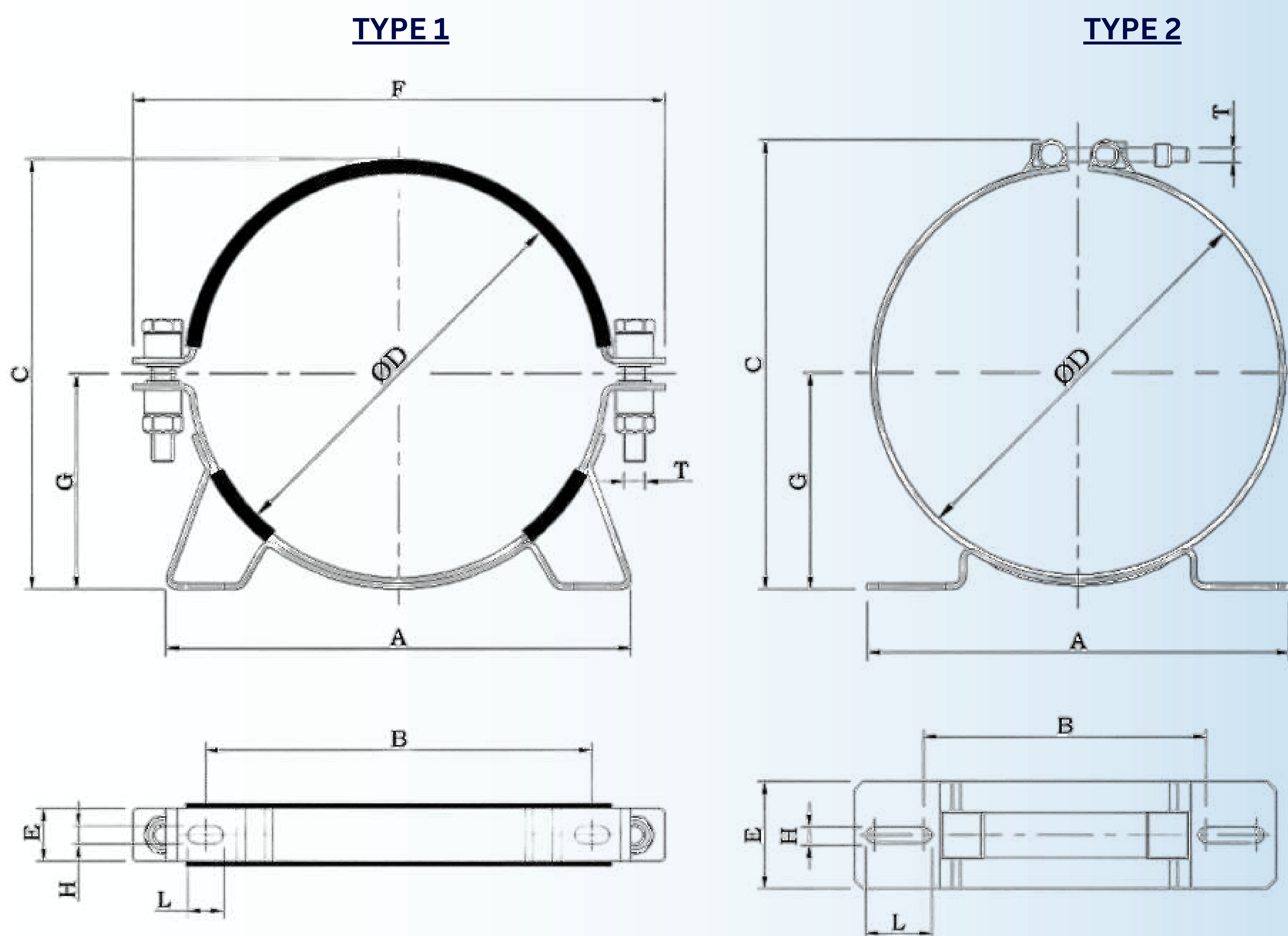


Table 1- Stock Bladder Accumulator Clamps (Can also be used for Piston Accumulators)

Part Number	Vessel Size [Litre]	Material	Type	A [mm]	B [mm]	C max [mm]	D [mm]	E [mm]	F [mm]	G [mm]	H [mm]	L [mm]	T
300-5519	1-2	Carbon Steel	2	156	100	148	113-121	60	-	64.5-68.5	9	-	M8
300-5521	1-2	Stainless Steel	2	156	100	148	113-121	60	-	64.5-68.5	9	-	M10
300-5522	4	Carbon Steel	1	182	148	192	165-175	30	249	91-96	9	13	M12
300-5503	4	Stainless Steel	1	182	148	192	165-175	30	249	91-96	9	13	M12
300-5517	10-50	Carbon Steel	2	236	158	255	220-228	60	-	124	11	28	M8
300-5518	10-50	Stainless Steel	2	236	158	255	220-228	60	-	124	11	28	M10
300-5504	10-50	Carbon Steel	1	260	216	-	219-229	30	300	121	10	20	M12
300-5505	10-50	Stainless Steel	1	260	216	-	219-229	30	300	121	10	20	M12
020-1429	10-50	Stainless Steel	1	275	211	-	240-250	40	326	136	15	21	M12
020-1425	10-50	Stainless Steel	1	260	211	-	260-270	40	-	144	15	21	M12

For safe mounting of QHP Bladder Accumulators

- Steel assembly with rubber cushion ring included
- Available in stainless or carbon Steel
- For the corresponding clamps see Accumulator Clamp datasheet

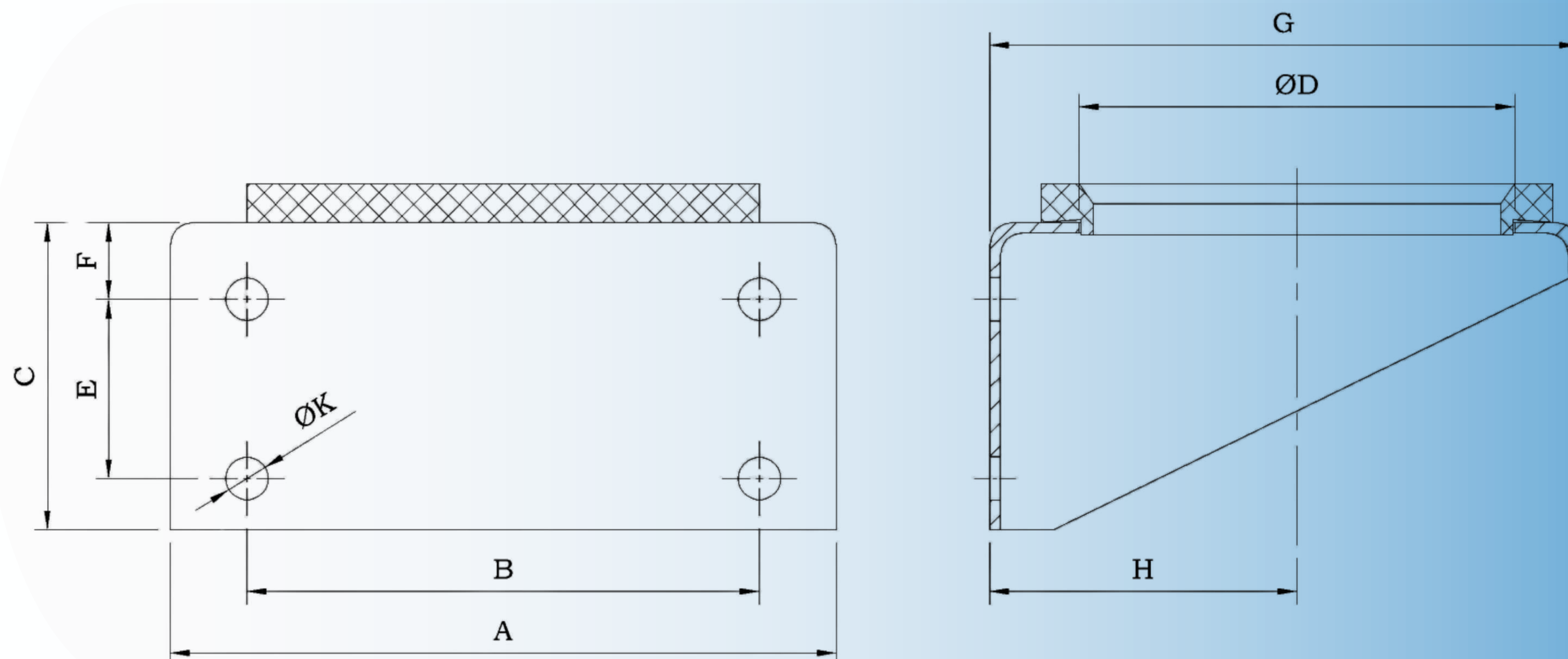
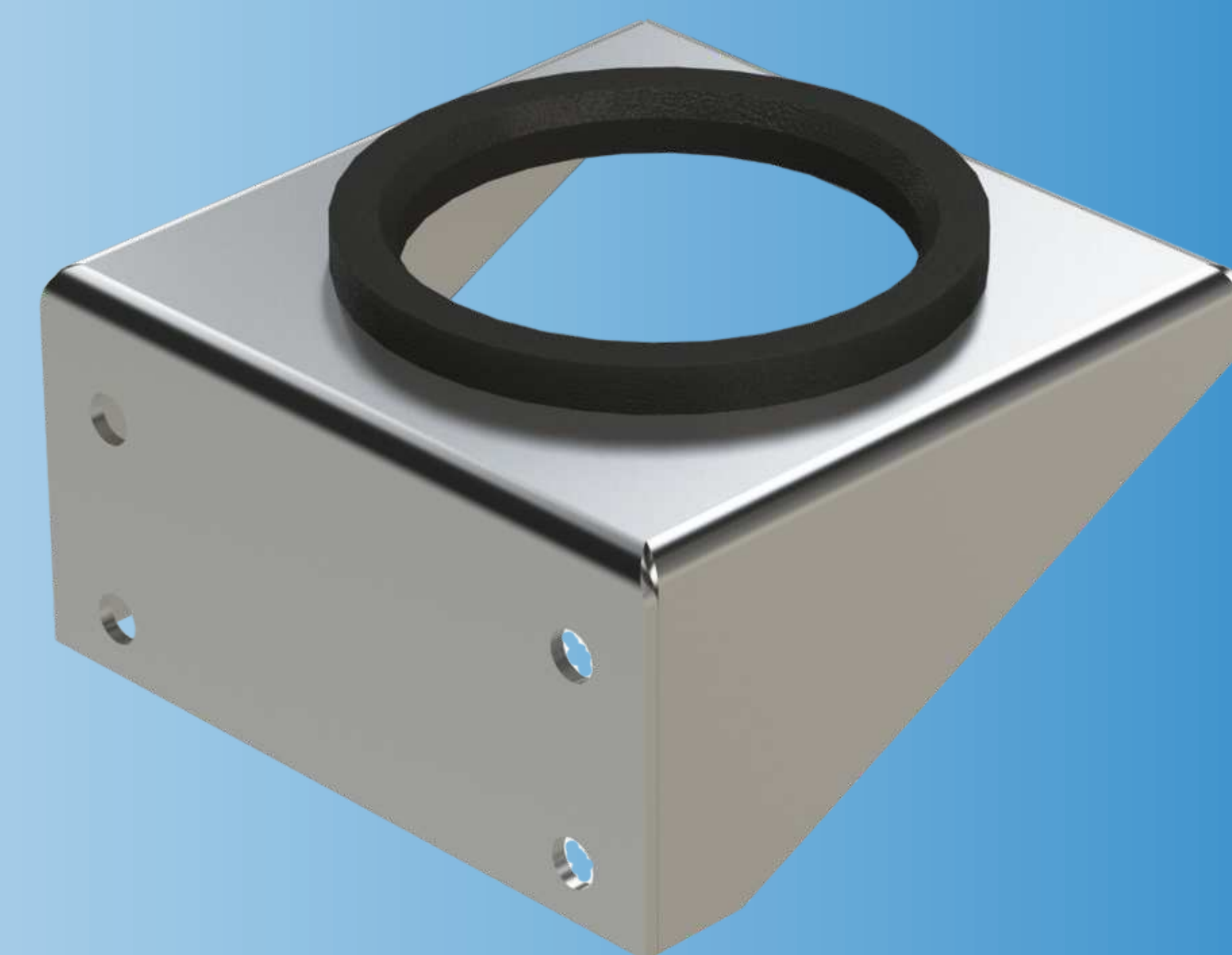


Table 1- Stock Bracket Dimensions

Part Number	Vessel Size [Litre]	Material	A [mm]	B [mm]	C [mm]	D [mm]	E [mm]	F [mm]	G [mm]	H [mm]	K [mm]
300-5702	4 Litre	Carbon Steel	200	140	90	120	40	30	175	93	11
300-5703	4 Litre	Stainless Steel	200	140	90	120	40	30	175	93	11
300-5704	10-50 (Ø219mm Dia.)	Carbon Steel	260	200	120	170	70	30	230	120	17
300-5705	10-50 (Ø219mm Dia.)	Stainless Steel	260	200	120	170	70	30	230	120	17
300-5704/1	10-50 (Ø229mm Dia.)	Carbon Steel	260	200	120	170	70	30	236	126	17
300-5705/1	10-50 (Ø229mm Dia.)	Stainless Steel	260	200	120	170	70	30	236	126	17
300-5711	10-50 (Ø245mm Dia.)	Stainless Steel	260	200	132	170	70	42	260	136	17